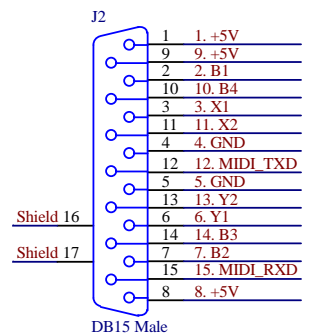
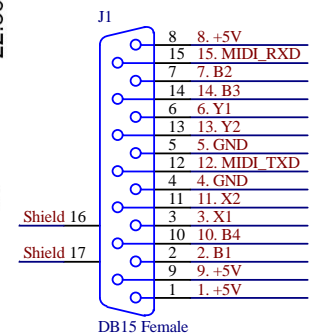
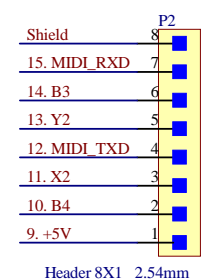
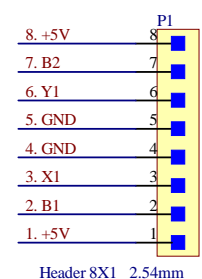
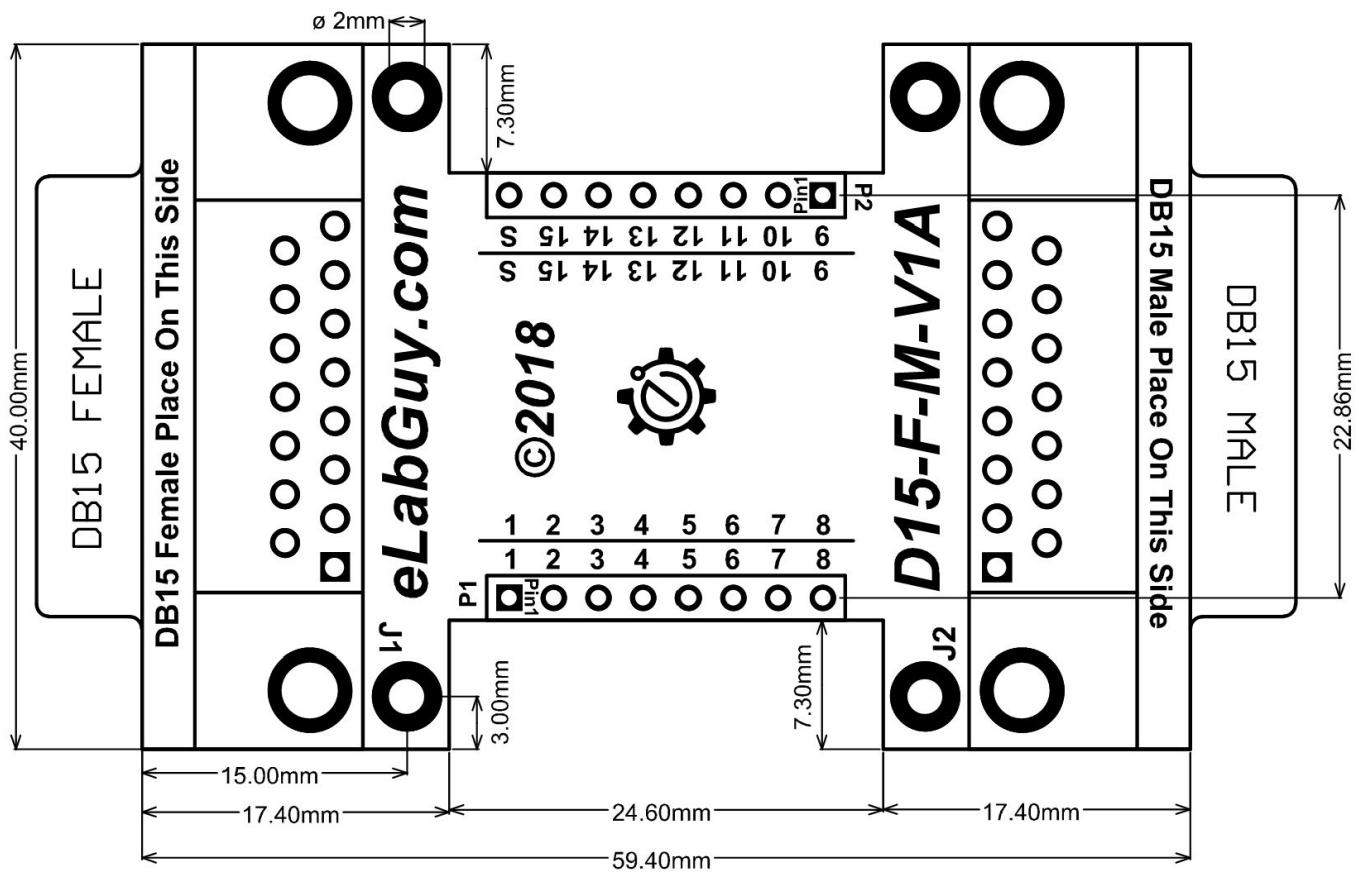


***PCB 1.6mm THICKNESS**



| | | | | | |
|-------|----------------------------------|-----------|--|--|--|
| Title | | | DB15 Female to Male Pass-Through | | |
| Size | Number | Revision | | | |
| A4 | D15-F-M-V1A | 1A | | | |
| Date: | 10/14/2018 | Sheet | of | | |
| File: | C:\Users\...\DB15-F-M-V1A.SchDoc | Drawn By: | www.eLabGuy.com | | |